

TECO  **Westinghouse**

OUTLINE DIMENSIONS

MOTOR TYPE:
AEEHNH

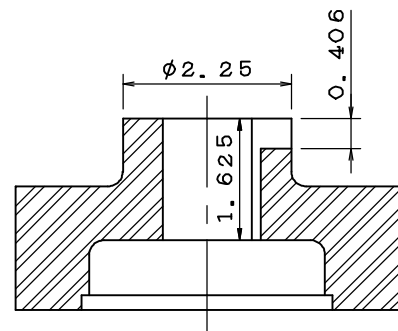
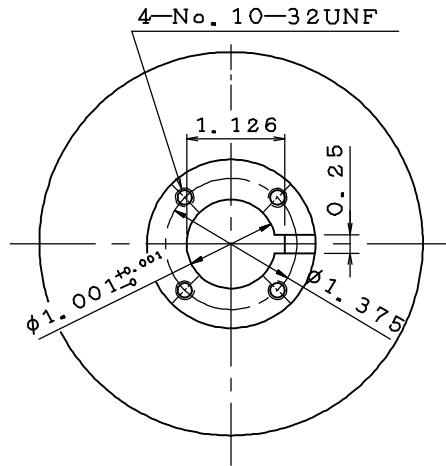
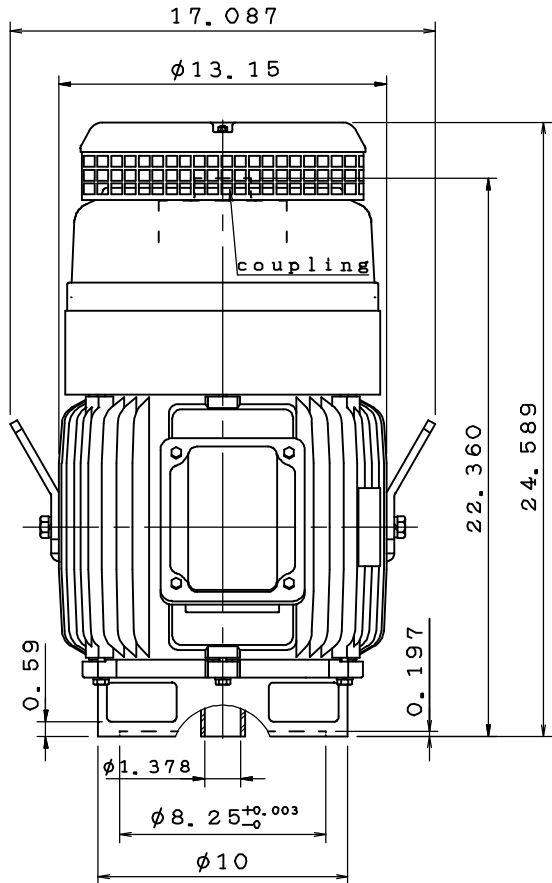
DATE 05/25/2017

3-PHASE INDUCTION MOTOR

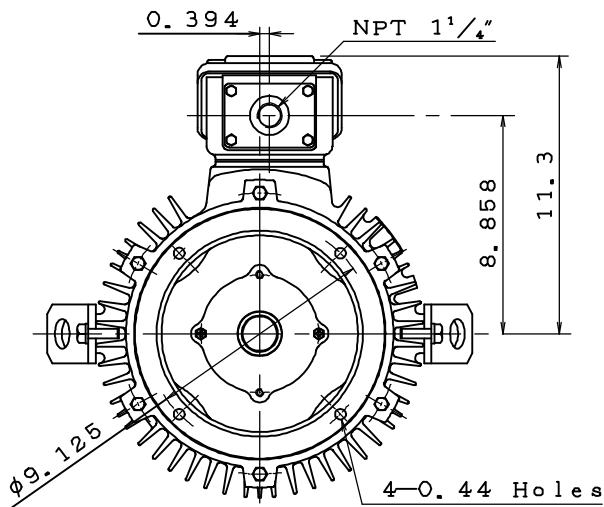
FRAME NO. 254TP

Pole	HP	kW	Hz	VOLT	r/min(rpm)
4	15	11	60	230/460	1800
Ins	Rating	Dimension in	Approx Weight	Bearings	
F	CONT.	Inch	350	DE 6309ZZC3 NDE: 7311B	

Totally Enclosed Fan-Cooled Vertical Type Squirrel-Cage Rotor.



Coupling Dimension



Note:

1. IP44 Protection.
2. Rotation: C. C. W.
(View from top)
3. With Ball Type N. R. R.
4. Thrust: 2700 lbs
(L₁₀: 8800 hours)

TA17129-00-00

CATALOG# VHTP0154

DWG.	周書緯	03.03.17
CHKD.	徐聰豪	03.03.17
APPD.	徐聰豪	03.03.17

TECO  **Westinghouse**

DWG NO.
31057A385170